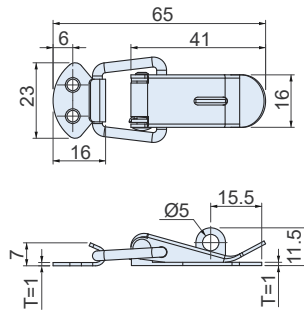


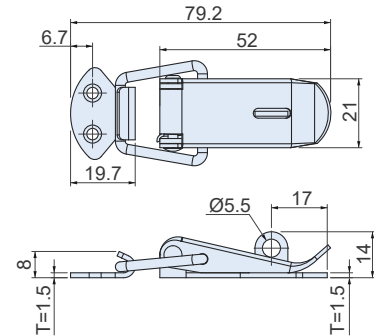
CS-03



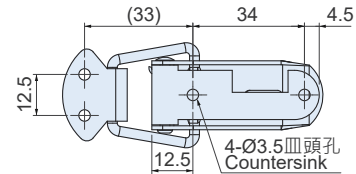
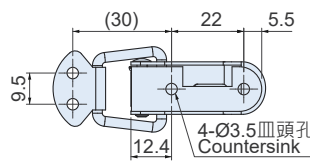
CS-0312 / CT-0312



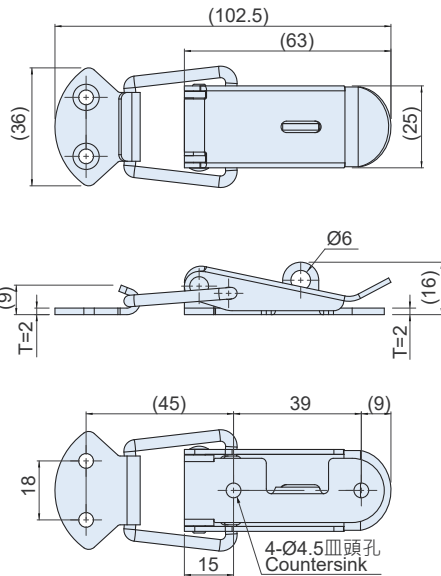
CS-0322 / CT-0322



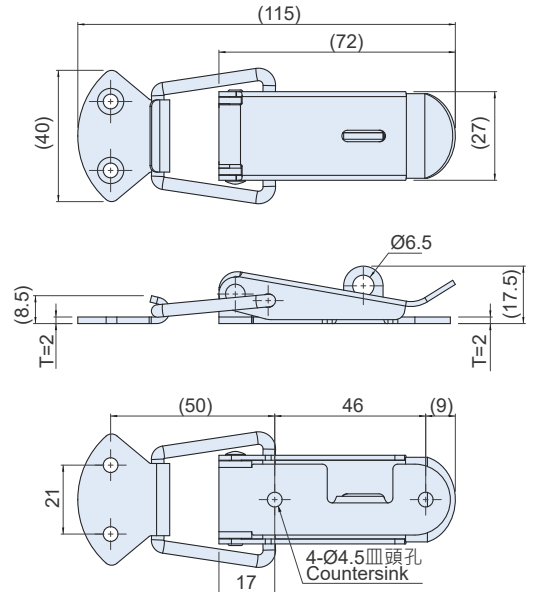
CT-03



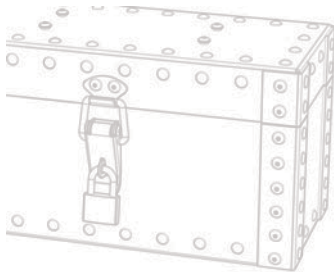
CS-0332 / CT-0332



CS-0342 / CT-0342



使用例
Example of application



特徵

- 線環可以隨著掀把帶動而脫離勾座
- 掀把回彈結構可避免設備震動而被彈開，適合用於震動設備、運輸車輛
- 內附彈簧，掀把開啟後會自動彈回，預防工安產生。
- 底座限位設計，避免掀把彈回後壓傷物件表面。
- 線環特殊設計，經久不鬆脫。

FEATURES

- The wire loop can be detached from the keeper(hook) with the lever.
- The lever's rebound structure can prevent the lever from being popped open due to equipment vibrations, making it suitable for vibrating equipment and transport vehicles.
- Inside added spring, the lever will be back mildly and automatically when it is open, and prevent from the accident.
- The stop design of the base prevents the surface of the object (lever portion) from being crushed by the springback.
- The durable design of the wire loop prevents it from loosening after a long time use.

SPECIFICATION:

Unit:mm

產品編號 Item No.	材質 Material	表面處理 Finish	引張荷重 Load Capacity(kgf)	重量 Weight(g)
CS-0312	SUS304	震動亮面 Vibration ground	10	18
CT-0312	SPCC	鍍鎳 Nickel plated		
CS-0322	SUS304	震動亮面 Vibration ground	15	36
CT-0322	SPCC	鍍鎳 Nickel plated		
CS-0332	SUS304	震動亮面 Vibration ground	20	67
CT-0332	SPCC	鍍鎳 Nickel plated		
CS-0342	SUS304	震動亮面 Vibration ground	25	83.9
CT-0342	SPCC	鍍鎳 Nickel plated		