

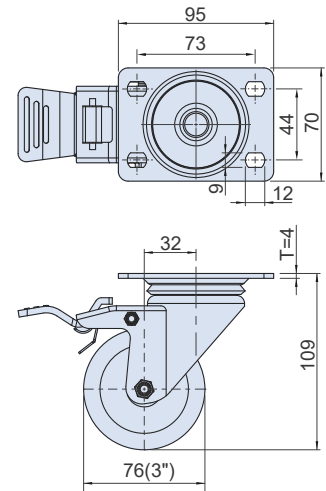
GU-A3-1



GU-A3-2



GU-A3-1 / GU-A3-2



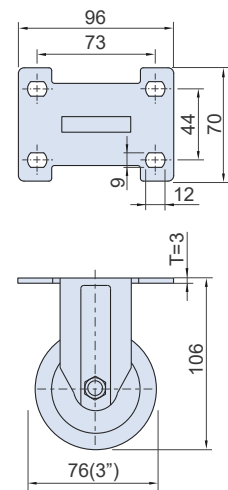
GU-A3-3



GU-A3-4



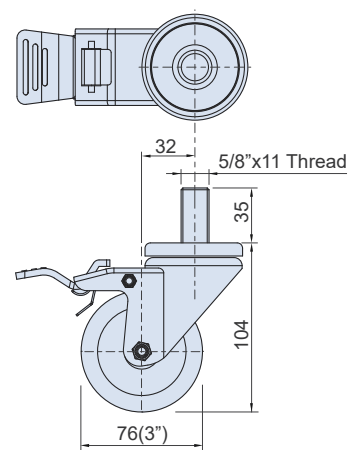
GU-A3-3



GU-A3-5



GU-A3-4 / GU-A3-5



特徵

- 輪架表面處理鍍鋅。
- 兩側均有防塵輪蓋，可預防細屑侵入及美化外觀等優點。
- 聚氨酯輪 PU輪，一般稱為優力膠輪，天然優力膠有非常好的磨耗特性、不留輪痕、汙痕並且擁有優良的耐油與耐化學藥劑特性。天然灌注PU不會有水解的情況產生，可以維持穩定的材質硬度且對地面的汙染少，因此適用的範圍相當廣泛。

FEATURES

- The housing is zinc plated.
- Special dust-poop hubs design.
- Polyurethane wheel is suppressive property against fouling to floor surface and the resistance against oil and chemical. Besides, natural perfusion PU can't be hydrolyzed, so it can maintain a stable material hardness and less pollution to the ground. The range of application is quite extensive.

SPECIFICATION:

Unit:mm

產品編號 Item No.	輪架材質 Housing Material	輪子材質 Wheel Material	型式 Type	尺寸 Dimensions			荷重 Load Capacity (kg/pc)	重量 Weight (kg)
				輪徑 Wheel Diameter	輪寬 Wheel Width	迴轉半徑 Radius of gyration		
GU-A3-1	鐵 Steel	PU	培林 Bearing	76(3'')	35	75	200	0.83
GU-A3-2						110		0.90
GU-A3-3						75		0.54
GU-A3-4						75		0.75
GU-A3-5						110		0.82