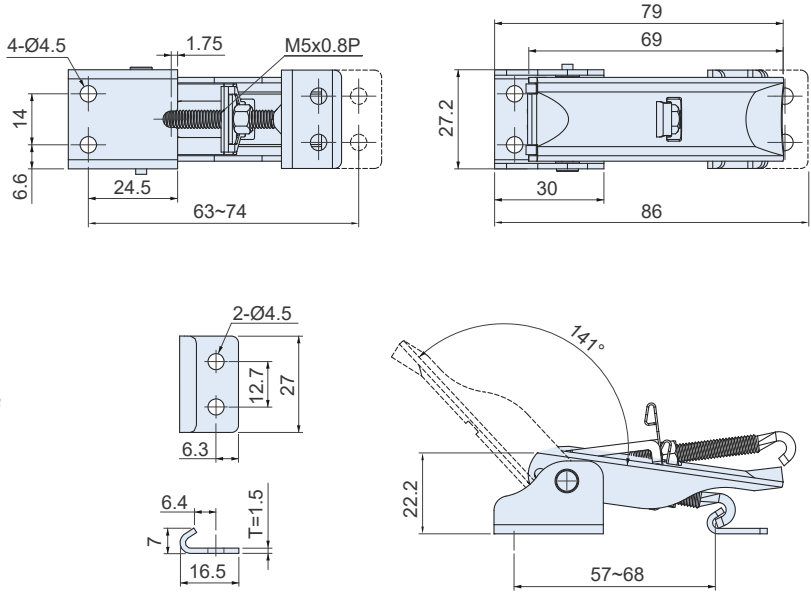


CS-21227  
CT-21227

調整搭扣 Draw Latch (Adjustable Type)



特徵

- 調整鉤能依螺牙正反轉，調整適當鬆緊迫緊物件。
- 輔助鎖扣提供額外防護：嚴重振動、意外開啟、衝擊載荷。

FEATURES

- The adjustable latch rod can depend on the spiral tooth to be reversing, to adjust the suitable compression force.
- Make use of assistance latches and locks to do an additional protection: Seriously vibrated, Suddenly opened, and Loading huge capacity.

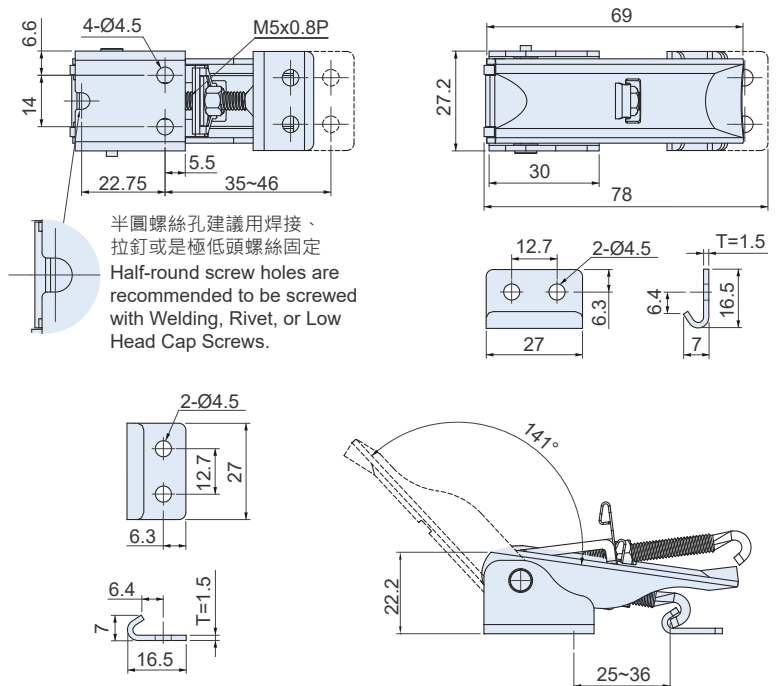
SPECIFICATION:

Unit:mm

產品編號 Item No.	材質 Material	表面處理 Finish	引張荷重 Load Capacity(kgf)	重量 Weight(g)
CS-21227	SUS304	震動亮面 Vibration ground	70	80
CT-21227	SPCC	鍍鋅 Zinc Plated	80	

CS-21237  
CT-21237

調整搭扣 Draw Latch (Adjustable Type)



特徵

- 調整鉤能依螺牙正反轉，調整適當鬆緊迫緊物件。
- 輔助鎖扣提供額外防護：嚴重振動、意外開啟、衝擊載荷。

FEATURES

- The adjustable latch rod can depend on the spiral tooth to be reversing, to adjust the suitable compression force.
- Make use of assistance latches and locks to do an additional protection: Seriously vibrated, Suddenly opened, and Loading huge capacity.

SPECIFICATION:

Unit:mm

產品編號 Item No.	材質 Material	表面處理 Finish	引張荷重 Load Capacity(kgf)	重量 Weight(g)
CS-21237	SUS304	震動亮面 Vibration ground	70	80
CT-21237	SPCC	鍍鋅 Zinc Plated	80	