

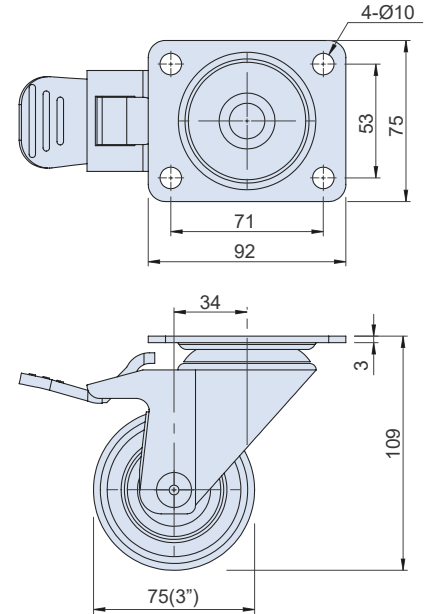
GR-75WJ



GR-75ST



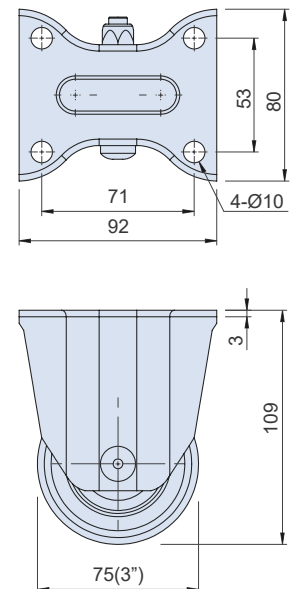
GR-75WJ / GR-75ST



GR-75WK



GR-75WK



### 特徵

- 輪架表面處理鍍鋅。
- 兩側均有防塵輪蓋，可預防細屑侵入及美化外觀等優點。
- 彈力橡膠輪。複合配方的高彈力橡膠，具有高彈性、高荷重、高抗力、耐磨損、靜音、減震效果佳等優點，適合在需要緩衝的情況下使用，即使在凹凸不平的路面上也可輕鬆移動。具有高穩定性，在室內地面也可以優良保護且降低摩擦係數。橡膠輪有添加耐油劑，相較於市面的橡膠輪，耐油性好一些，但不建議用於高油質場所。

### FEATURES

- The housing is zinc plated.
- Special dust-pooof hubs design.
- Elastic Rubber Wheel. With the features of high elasticity, excelling in load bearing, wear resistances, Elastic Rubber is suitable for using in the most of environment, especially the case of need buffer. Also, travel with high stability and reduce the friction coefficient, it can be easily moved in any uneven surface throughout indoors or outdoors. And rubber wheel has added some oil resistant agent, so that it has better resistance against oil.

### SPECIFICATION:

Unit:mm

產品編號 Item No.	輪架材質 Housing Material	輪子材質 Wheel Material	型式 Type	尺寸 Dimensions			荷重 Load Capacity (kgf/pc)	重量 Weight (kg)
				輪徑 Wheel Diameter	輪寬 Wheel Width	迴轉半徑 Radius of gyration		
GR-75WJ	鐵 Steel	橡膠 Rubber	培林 Bearing	75(3")	35	75	150	0.81
GR-75ST						110		0.87
GR-75WK								0.56