

GR-(S)A42501
GR-(S)A52501
GR-(S)A62501



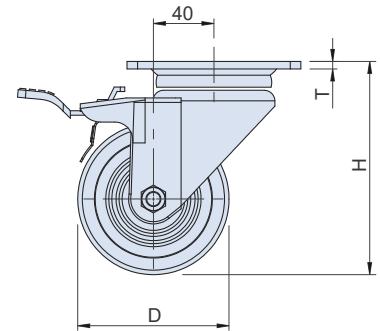
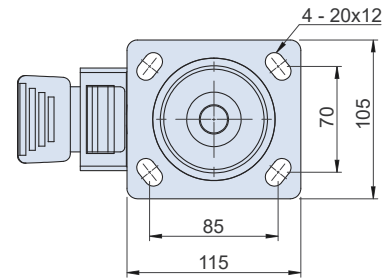
GR-(S)A42502
GR-(S)A52502
GR-(S)A62502



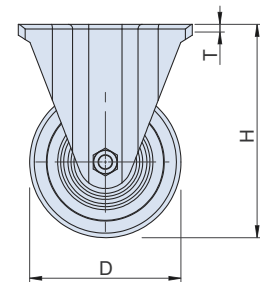
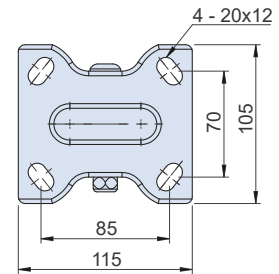
GR-(S)A42503
GR-(S)A52503
GR-(S)A62503



GR-(S)A42501 GR-(S)A42502
GR-(S)A52501 GR-(S)A52502
GR-(S)A62501 GR-(S)A62502



GR-(S)A42503
GR-(S)A52503
GR-(S)A62503



特徵

■ 彈力橡膠輪。複合配方的高彈力橡膠，具有高彈性、高荷重、高抗力、耐磨損、靜音、減震效果佳等優點。適合在需要緩衝的情況下使用，即使在凹凸不平的路面上也可輕鬆移動。具有高穩定性，在室內地面也可以優良保護且降低摩擦係數。橡膠輪有添加耐油劑，相較於市面的橡膠輪，耐油性好一些，但不建議用於高油質場所。

FEATURES

■ Elastic Rubber Wheel. With the features of high elasticity, excelling in load bearing, wear resistances, Elastic Rubber is suitable for using in the most of environment, especially the case of need buffer. Also, travel with high stability and reduce the friction coefficient, it can be easily moved in any uneven surface throughout indoors or outdoors. And rubber wheel has added some oil resistant agent, so that it has better resistance against oil.

SPECIFICATION:

Unit:mm

產品編號 Item No.		輪子材質 Wheel Material	型式 Type	尺寸 Dimensions					荷重 Load Capacity(kgf/pc)		重量 Weight (kg)
輪架 Housing SUS304	輪架 Housing 鐵 Steel			H	T	輪徑(D) Wheel Diameter	輪寬 Wheel Width	迴轉半徑 Radius of gyration	輪架 Housing SUS304	輪架 Housing 鐵 Steel	
GR-SA42501	GR-A42501	橡膠 Rubber	培林 Bearing	143	5	101(4")	50	95	350	300	1.70
GR-SA42502	GR-A42502				135			1.81			
GR-SA42503	GR-A42503				3			1.08			
GR-SA52501	GR-A52501				5			105			1.93
GR-SA52502	GR-A52502				167			135			2.03
GR-SA52503	GR-A52503				3			1.30			
GR-SA62501	GR-A62501			191	5	120	50	135	350	300	2.19
GR-SA62502	GR-A62502				135						2.29
GR-SA62503	GR-A62503				3						1.57