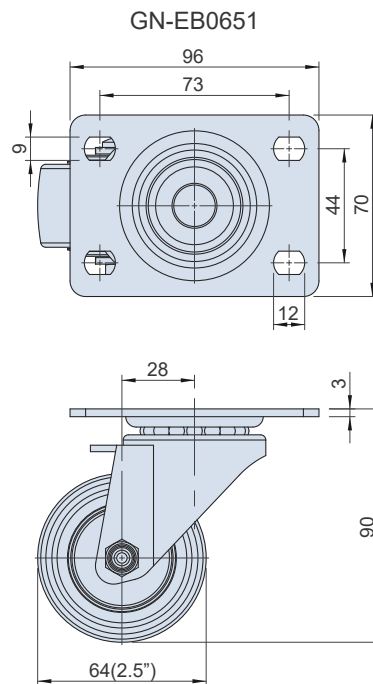
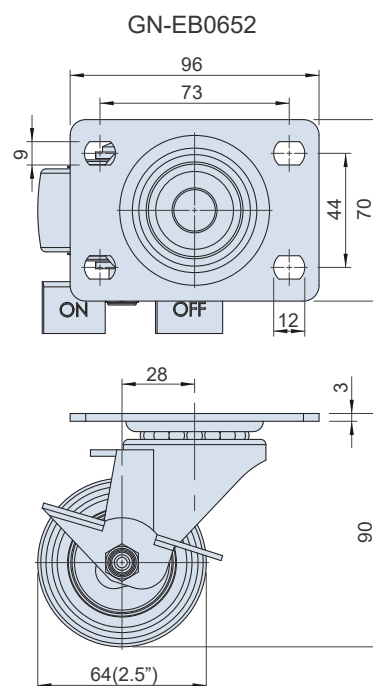


GN-EB0651



GN-EB0652



特徵

- 輪架表面處理鍍鋅。
- 尼龍輪。採高級尼龍原料(PA6)，具有抗潮溼、耐磨損、耐腐蝕、細屑不易侵入及重量輕等優點。

FEATURES

- The housing is zinc plated.
- Nylon Wheel(PA6) is light in weight and excellent resistances against moisture, wear, and corrosion.

SPECIFICATION:

Unit:mm

產品編號 Item No.	輪架材質 Housing Material	輪子材質 Wheel Material	尺寸 Dimensions			荷重 Load Capacity (kgf/pc)	重量 Weight (kg)
			輪徑 Wheel Diameter	輪寬 Wheel Width	迴轉半徑 Radius of gyration		
GN-EB0651	鐵 Steel	尼龍 Nylon	64(2.5")	32	65	150	0.53
GN-EB0652					80		0.56