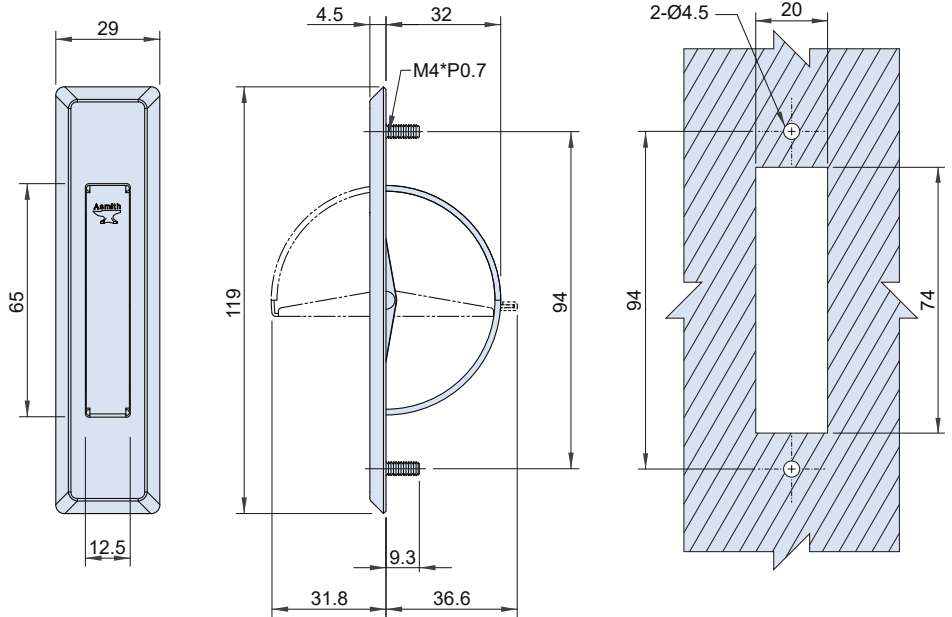


ES-0831



安裝開孔尺寸 Opening size

材質與表面處理

- 表面毛絲處理，質感高雅大方。
- 手把為平面式可安全的使用在狹小擁擠的空間。
- 耐熱、耐腐蝕。

MATERIAL AND FINISH

- Outward appearance lofty artistic.
- Plane formula is to use safely in a narrow space.
- Heat-resisting, Anti-corrosive.

SPECIFICATION :

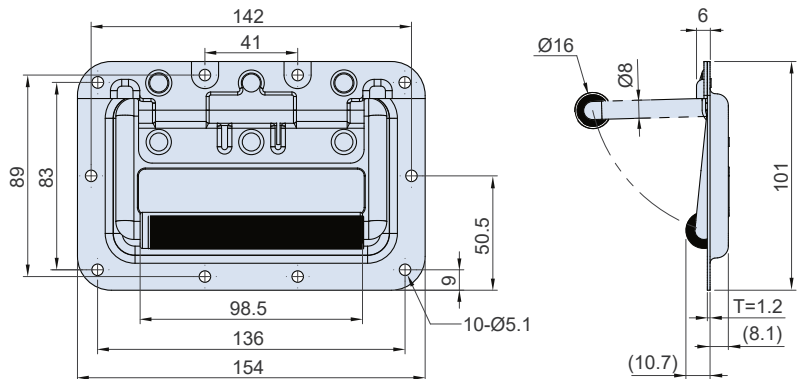
Unit : mm

產品編號 Item No.	材質 Material	表面處理 Finish	重量 Weight(g)
ES-0831	SUS304	毛絲處理 Brushed finish	55

ES-0730



使用例
Example of application



安裝開孔尺寸 Opening size

材質與表面處理

- 透過內建彈簧機構，握把在使用後能自動回彈並收納於凹槽內，使面板表面保持平整，降低因突出造成的碰撞風險。
- 塑膠握把部分使用 TPR 材質，提供舒適的握感。

MATERIAL AND FINISH

- With a built-in spring mechanism, the handle automatically returns and retracts into the recessed slot after use, keeping the panel surface flush and reducing the risk of accidental impact caused by protruding parts.
- The plastic grip is made of TPR (Thermoplastic Rubber), offering a comfortable and ergonomic feel during operation.

SPECIFICATION:

Unit:mm

產品編號 Item No.	材質 Material	表面處理 Finish	荷重 Load Capacity (kgf)	重量 Weight (g)
ES-0730	SUS304	亮面處理 Vibration ground	150	360