

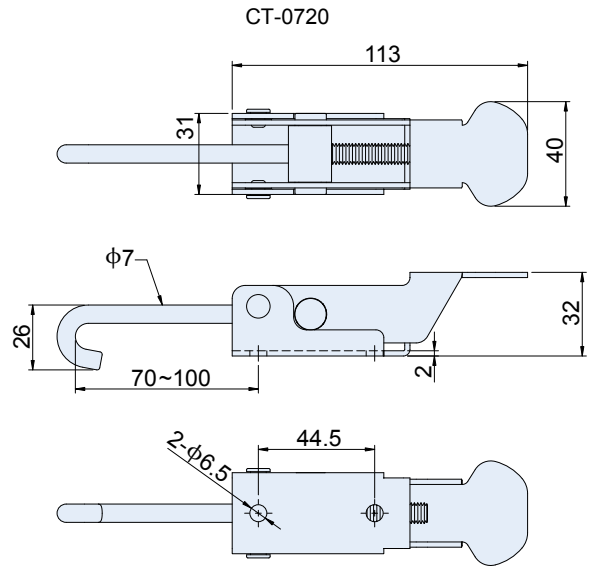
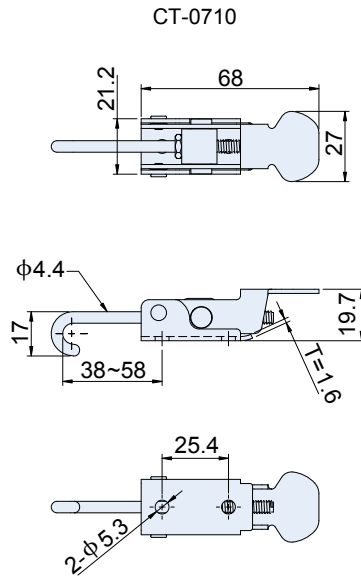
CT-07 Series 調整搭扣 Draw Latch (Adjustable Type)



CT-0710

CT-0720

使用例 Example of application



特徵

- 鉤體長短可調整，用途廣泛。在鉤體調整至適當鬆緊，固定螺帽鎖緊後再內附彈性片，可防螺帽鬆脫的功能。

FEATURES

- Adjustable latch rod, user can adjust the suitable compression force.
- Inside added elastic washer to effect locked washe.

SPECIFICATIONS:

Unit:mm

產品編號 Item No.	材質 Material	表面處理 Finish	引張荷重 Load capacity (kg)	重量 Weight (g)
CT-0710	SPCC	鍍鋅 Zinc plated	70	66.5
CT-0720	SPCC	鍍鋅 Zinc plated	100	216

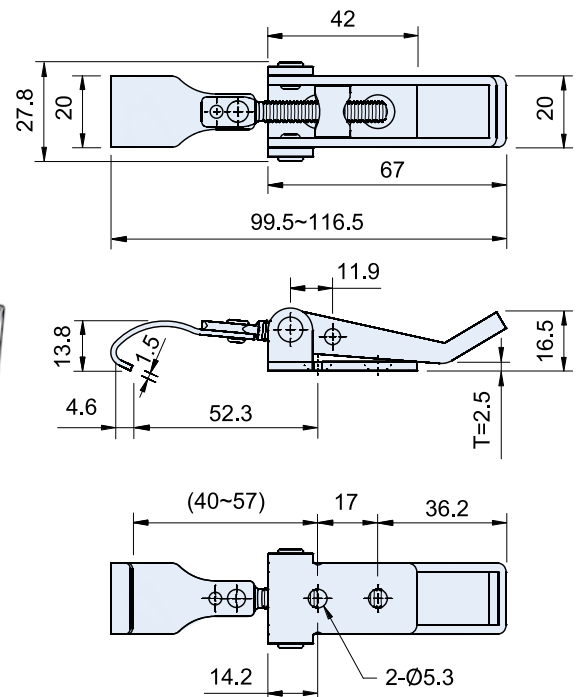
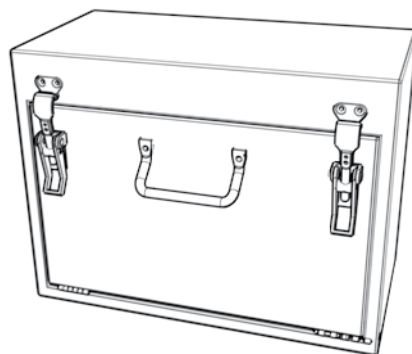
CT-02221-W-1 調整搭扣 Draw Latch (Adjustable Type)



CT-02221-W-1



使用例  
Example of application



材質與表面處理

- 鐵(SPCC)，鍍鋅。

特徵

- 鉤環能依螺牙正反轉，調整適當鬆緊迫緊物件。

MATERIAL AND FINISH

- Steel (SPCC), Zinc plated.

FEATURES

- Adjustable latch rod, user can adjust the suitable compression force.

SPECIFICATIONS:

Unit:mm

產品編號 Item No.	引張荷重 Load capacity (kg)	重量 Weight (g)
CT-02221-W-1	40	72.3