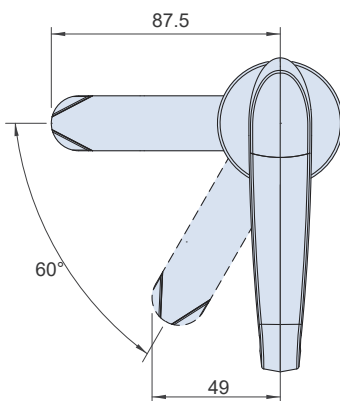
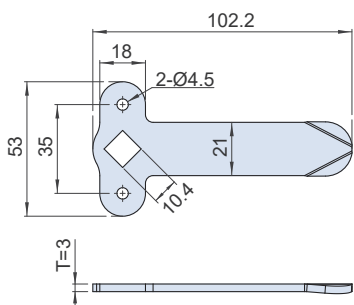
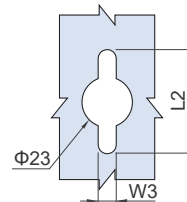
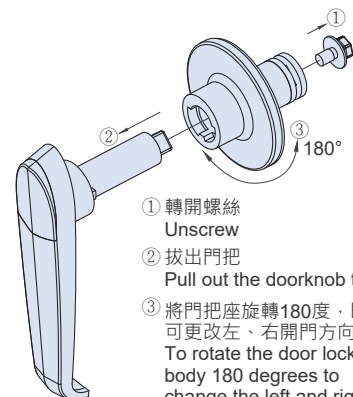


安裝孔開孔尺寸 Opening Size



如何變更左、右開門方向?
How to change the opening direction?



- ① 轉開螺絲
Unscrew
- ② 拔出門把
Pull out the doorknob to.
- ③ 將門把底座旋轉180度，即可更改左、右開門方向
To rotate the door lock body 180 degrees to change the left and right door opening direction.

SPECIFICATION:

Unit:mm

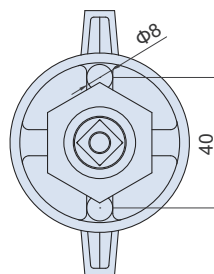
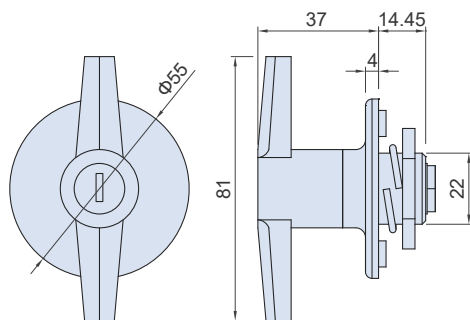
產品編號 Item No.	材質 Material	表面處理 Finish	尺寸 Dimensions									重量 Weight (g)	
			L1	L2	W1	W2	W3	H1	H2	P	D		T
BS-2130-1	SUS316	亮面拋光 High gloss polished	152	48.5	30	16	8.5	49.5	22.5	40	65	5	530
BS-2130-2			134	48.5	25	14	8.5	43	15.5	40	55	4	350
BS-2130-3			120	40	24	14	7.5	43	15.5	32	48	4	310

特徵

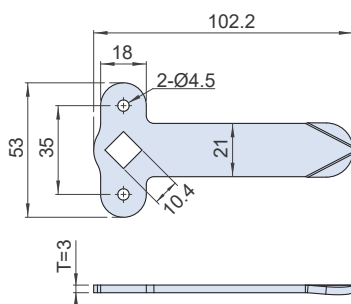
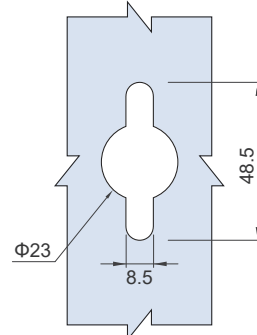
- 具良好防水功能。

FEATURES

- This pawl lock has good waterproof.



安裝孔開孔尺寸 Opening Size



SPECIFICATION:

Unit:mm

產品編號 Item No.	材質 Material	表面處理 Finish	重量 Weight(g)
BS-2139	SUS316	亮面拋光 High gloss polished	330

特徵

- 具良好防水功能。

FEATURES

- This pawl lock has good waterproof.