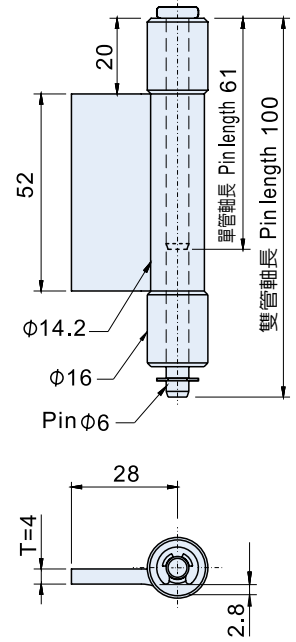
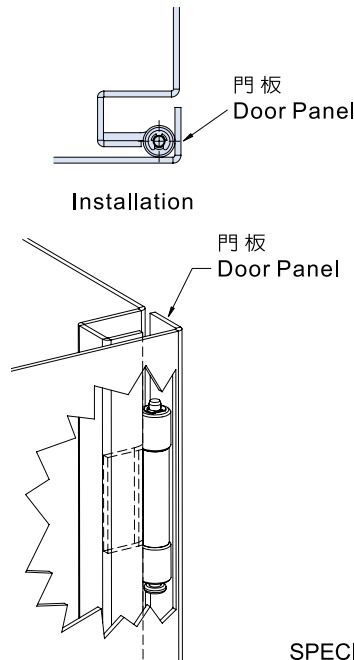


AT-31 Series 隱藏鉸鏈 Concealed Hinge



AT-3161 (雙管 Double Support)    AT-3171 (單管 Single Support)



材質與表面處理

- 本體鉸鏈：鐵材 (SPHC-PO)，防銹處理。
- 軸心：中碳鋼，鍍鋅。
- 套管：鐵材 (1008) 防銹處理。

特徵

- 平行鉸鏈可依設計的需求彎折成理想的形狀，若每批有1000pcs以上，可委託我們成型，為貴公司所需形狀。

MATERIAL AND FINISH

- Hinge Body: Hot-rolled Steel (SPHC-PO), Oxalic-acid treatment.
- Pin: Medium carbon Steel, Zinc plated.
- Pin Bushing: Steel (1008), Natural.

FEATURES

- Could be DIY folded to the shape needed by customer. Forming service is available for the single order quantity more than 1000 pieces each shape.

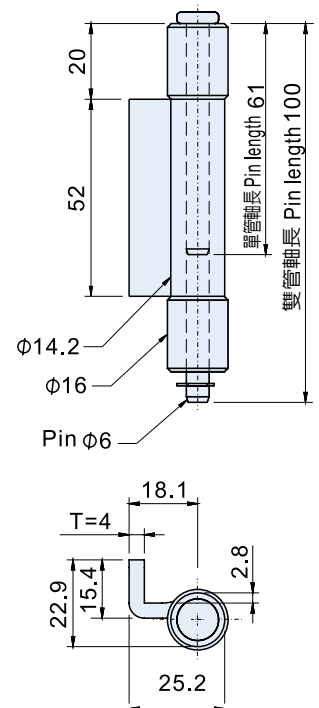
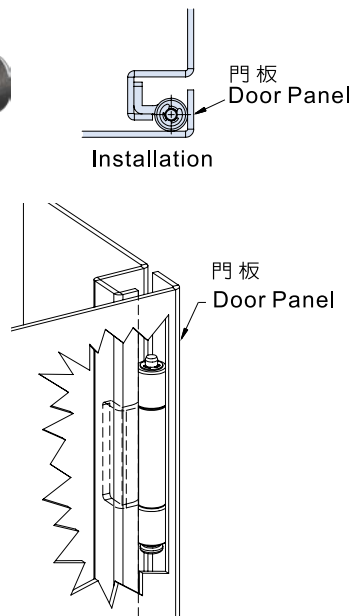
SPECIFICATIONS: Unit:mm

產品編號 Item No.	樣式區分 Type	重量 Weight (g)
AT-3161	雙管 Double support	165
AT-3171	單管 Single support	130

AT-31 Series 隱藏鉸鏈 Concealed Hinge



AT-3141 (雙管 Double Support)    AT-3151 (單管 Single Support)



材質與表面處理

- 本體鉸鏈：鐵材 (SPHC-PO)，防銹處理。
- 軸心：中碳鋼，鍍鋅。
- 套管：鐵材 (1008) 防銹處理。

MATERIAL AND FINISH

- Hinge Body: Hot-rolled Steel (SPHC-PO), Oxalic-acid treatment.
- Pin: Medium carbon Steel, Zinc plated.
- Pin Bushing: Steel (1008), Natural.

SPECIFICATIONS: Unit:mm

產品編號 Item No.	樣式區分 Type	重量 Weight (g)
AT-3141	雙管 Double support	162
AT-3151	單管 Single support	127