

特徵

- 扣鉤特殊設計，可以無需搭扣鉤而直接扣住物件或螺絲，簡單又方便
- 線環特殊設計，經久不鬆脫
- 輔助鎖扣提供額外防護，避免嚴重震動彈開
- 可插銷使物件更牢固

FEATURES

- Special hook design can easily and directly lock or hooked screws without latch keeper.
- The durable design of the wire loop prevents it from loosening after a long time use.
- Make use of assistance latches and R-pin hole to do an additional protection, avoid seriously vibrating, suddenly opened, and loading huge capacity.

SPECIFICATION:

Unit:mm

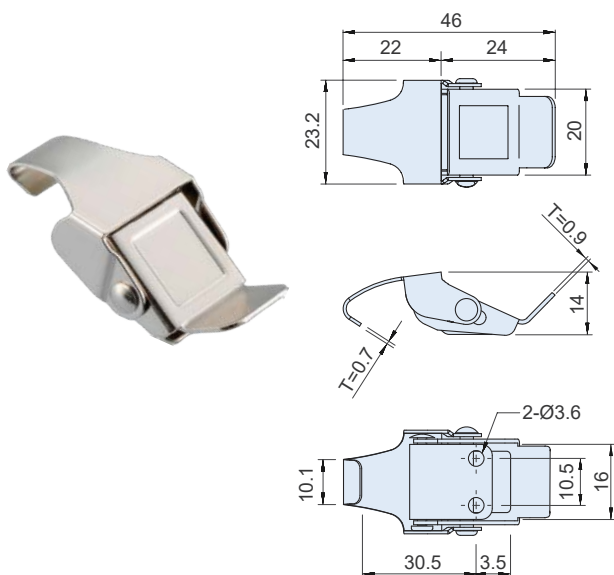
產品編號 Item No.	材質 Material	表面處理 Finish	引張荷重 Load Capacity (kgf)	重量 Weight (g)
CS-3780-W-1	SUS304	震動亮面 Vibration ground	35	75

C-3430

迫緊搭扣 Draw Latch (Spring Loaded Type)

CT-2510

迫緊搭扣 Draw Latch (Spring Loaded Type)



特徵

- 金屬彈性弧形鉤，具有迫緊效果

FEATURES

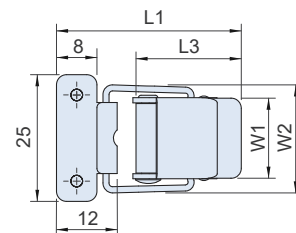
- Provide compression force, metal elastic arc hook, curved hooks can force the lid to not shake.

SPECIFICATION:

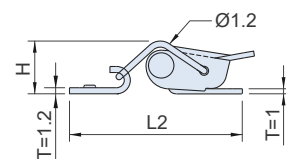
Unit:mm

產品編號 Item No.	材質 Material	表面處理 Finish	重量 Weight (g)
C-3430	SPCC	鍍鎳 Nickel plated	15.8

CT-2510



CT-4110



材質與表面處理

- 鐵材(SPCC)，材料本質。

特徵

- 彈性鋼弧形鉤環具迫緊功能。
- 兩定位凸點使零件安裝更容易。

MATERIAL AND FINISH

- SPCC, Natural

FEATURES

- Piano wire latch spring provides good compression force.
- Two locating points provide easy location when installed.

SPECIFICATION:

產品編號 Item No.	尺寸 Dimensions							引張荷重 Load Capacity (kg)	重量 Weight (g)
	L1	L2	L3	P1	W1	W2	H		
CT-2510	36.5	34.5	21	25.5	16	20	9.5	15	10.8
CT-4110	31.5	29.5	17	21.7	14	19.5	9		8.8