

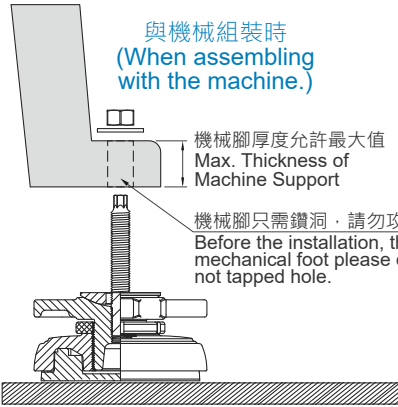
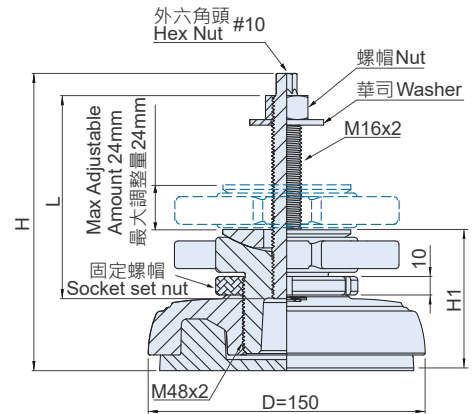
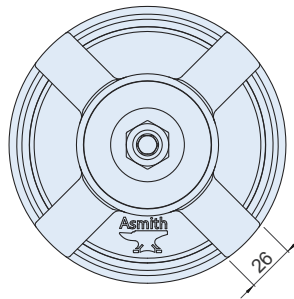


DK-0930110S



DK-0930110B

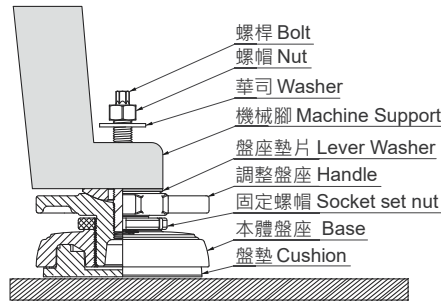
單支荷重1100Kgf
Load Capacity 1100Kgf / each



與機械組裝時
(When assembling with the machine.)

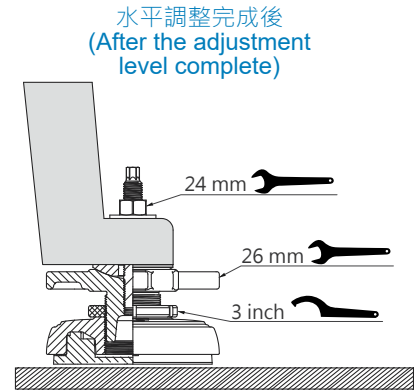
機械腳厚度允許最大值
Max. Thickness of Machine Support

機械腳只需鑽洞，請勿攻牙
Before the installation, the mechanical foot please do not tapped hole.



與機械組裝完成
(Complete with the machinery assembly)

螺桿 Bolt
螺帽 Nut
華司 Washer
機械腳 Machine Support
盤座墊片 Lever Washer
調整盤座 Handle
固定螺帽 Socket set nut
本體盤座 Base
盤墊 Cushion



水平調整完成後
(After the adjustment level complete)

24 mm
26 mm
3 inch

使用說明

- 將盤座墊片放在腳座上，再將機械緩緩降下。(安裝前，機械腳只需鑽洞，請勿攻牙。)
- 螺桿由上側穿過機械腳及盤座墊片鎖入調整盤座中，再由上放入華司和螺帽。
- 用26mm開口扳手轉動調整盤座，調整出機械適當的高度及水平。
- 完成後將上方華司和螺帽鎖緊。
- 透過3吋鉤型扳手將調整盤座下的固定螺帽向下鎖緊，即完成安裝。

User Manual

- Place the level washer on the glide then lower down machine slowly. (Before the installation, the mechanical foot please do not tapped hole.)
- Insert the bolt through the machine into the glide then place the nut and washer from the top.
- To adjust machine to its height with the handle by the wrench(26mm).
- To tie the nut and washer when the adjustment is done accurately.
- After locking the socket set nut that is under handle with 3" hook wrench, assembly is finished.

材質與表面處理

- 盤座：FC-250 粉體烤漆(砂黑、砂銀)
- 螺桿：S45C 熱處理及磷酸錳
- 盤墊：CR 合成橡膠(黑)
- 固定螺帽：FCD45 粉體烤漆(砂黑、砂銀)

MATERIAL AND FINISH

- Base: FC-250 Powder coating (Black / Silver)
- Bolt: S45C with heat treatment and coating with Manganese phosphate
- Cushion: Chloroprene Rubber (Black)
- Socket Set Nut: FCD45 Powder coating (Black / Silver)

特徵

- 當作業場所地面傾斜不平時，自動導正水平角度。
- 確保機械精準度，以防止滑動。
- 防止機械於動作時產生過大震動，改善作業場所環境。
- 防止樓層因機械動作時產生共震、引震、噪音。
- 機器安裝時，可有效導正腳座盤墊面全部伏貼地面，穩定機械運轉。
- 機械腳放到盤座上，在容許荷重下壓時，可用開口扳手在每一調整腳順利調整高度及水平。(如右圖所示)
- 防震、防滑、耐磨損、耐油。
- 附加固定螺帽。有無固定螺帽之差異：當機械震動大時建議使用有固定螺帽機型以防止鬆動。

FEATURES

- Automatic adjust the horizontal angle.
- To ensure the precision of machinery in order to prevent from the slipping out.
- To prevent from the vibration and improve the work environment when the machine is on.
- To decrease the vibration between floors when the machine is running.
- To direct the support of machine on the ground correctly when the machine is installed.
- Smoothly adjust the machine height by the open-end wrench, when machine load on the Heavy-Duty Leveling Glide. (please refer to photo right)
- Resistance to shock, slip, abrasion and greasiness.



SPECIFICATION:

形式 Type	產品編號 Item no.	顏色 Color	尺寸 Dimensions				機械腳厚度允許最大值 Max. Thickness of Machine Support	最大調整量 Max. Adjustable Amount	荷重 Load Capacity (kgf)	重量 Weight (kg)
			D	L	H	H1				
含固定螺帽 With socket set nut	DK-0930110	B(黑 Black) S(銀 Silver)	150	110	161	75	55	24	1100	3.8
	DK-0930200			200	251		145			3.9
不含固定螺帽 Without socket set nut	DK-0931110			110	151	65	55			3.6
	DK-0931200			200	241		145			3.7

※Note : Before the installation, the mechanical foot please do not tapped hole.

※注意事項：安裝前，機械腳請勿攻牙。