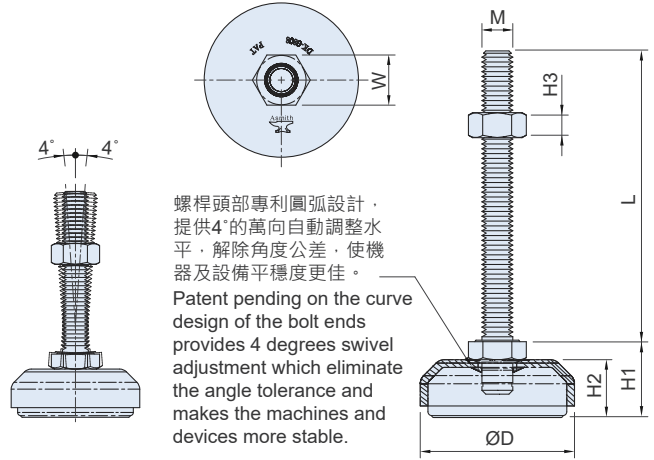
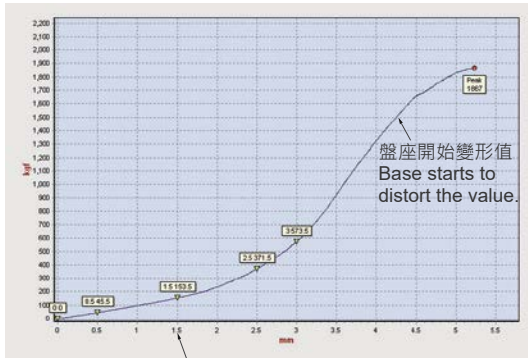




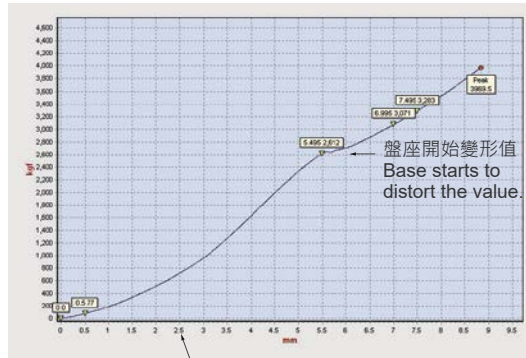
單支荷重130~900Kgf
Load Capacity 130~900Kgf / each



螺桿頭部專利圓弧設計，提供4°的萬向自動調整水平，解除角度公差，使機器及設備平穩更佳。
Patent pending on the curve design of the bolt ends provides 4 degrees swivel adjustment which eliminate the angle tolerance and makes the machines and devices more stable.



設定荷重 150 kgf 下壓值 1.5 mm · 合金鋼 Ø40圓腳座荷重測試曲線圖
Suppose the leveling feet was pressuring under load capacity 150 kgf per 1.5 mm.
The chart shows the leveling feet load capacity of SCM bolt and base dimension Ø40 mm.



設定荷重 700 kgf 下壓值 2.5 mm · 不鏽鋼304 Ø90 圓腳座荷重測試曲線圖
Suppose the leveling feet was pressuring under load capacity 700 kgf per 2.5 mm.
The chart shows the leveling feet load capacity of SUS304 bolt and base dimension Ø90 mm.

材質與表面處理

- 盤座&螺桿：DK-08 合金鋼(SCM) · 鍍鋅。
DS-08 不銹鋼(SUS 304)。
- 盤墊：橡膠(NBR) · 耐油、耐鹼、耐熱130°C。

特徵

- 螺桿與盤座結合處圓弧設計，提供4°萬向自動調整，解除角度公差，使機器及設備平穩更佳。
- 防震、防銹(DS系列)、耐鹼、防滑、耐磨耗、耐油。

MATERIAL AND FINISH

- Base&Bolt: DK-08: Steel (SCM), Zinc plated.
DS-08: Stainless steel (SUS304).
- Cushion: Rubber (NBR), Resistance to Greasiness, Alkali / Heat 130°C.

FEATURES

- The curve of bolt's bottom and base's hole designs is for automatic leveling best.
- Resistance to conductance rust (DS Series), shock, slip, abrasion and greasiness.

SPECIFICATIONS:

Unit:mm

產品編號Item No.		尺寸 Dimensions							荷重 Load Capacity (kgf)	重量 Weight(g)						
SCM	SUS304	M	L	ØD	H1	H2	H3	W		SCM	SUS304					
DK-0808035A	DS-0808035A	M8*P1.25	35	40	20	15	6.5	13	130	76	68					
DK-0808050A	DS-0808050A		50							77	69					
DK-0808075A	DS-0808075A		75							84	76					
DK-0810050A	DS-0810050A	M10*P1.5	50	40	21	15	8	17	190	104	93					
DK-0810075A	DS-0810075A		75							118	106					
DK-0810100A	DS-0810100A		100							128	115					
DK-0810050C	DS-0810050C		50	50	24	18	8	17	250	136	122					
DK-0810075C	DS-0810075C		75							145	130					
DK-0810100C	DS-0810100C	100	163	147												
DK-0812035C		M12*P1.75	35	50	25	18	10	19	320	143						
DK-0812040C			40							146.8						
DK-0812075C	DS-0812075C		75							182	164					
DK-0812100C	DS-0812100C		100	202	182											
DK-0812150C	DS-0812150C		150	225	204											
DK-0812075E	DS-0812075E	75	60	28	20	10	19	390	219	197						
DK-0812100E	DS-0812100E	100							249	224						
DK-0812150E	DS-0812150E	150							282	254						
DK-0816075E		75	60	29	20	13	24	520	290							
DK-0816100E	DS-0816100E	100							318	311						
DK-0816150E	DS-0816150E	150							387	436						
DK-0816100H	DS-0816100H	100							75	32.7	23	13	24	780	440	430
DK-0816150H	DS-0816150H	150													506	509
DK-0816075L		75							544							
DK-0816100L	DS-0816100L	100	90	37.7	28			840	576	565						
DK-0816150L	DS-0816150L	150							642	633						
DK-0820100H	DS-0820100H	M20*P2.5	100	75	33	23	16	30	900	570	439					
DK-0820150H	DS-0820150H		150							671	496					
DK-0820200H			200							771						
DK-0820100L	DS-0820100L		100	706	519											
DK-0820150L	DS-0820150L		150	806	593											
DK-0820200L		200	906													