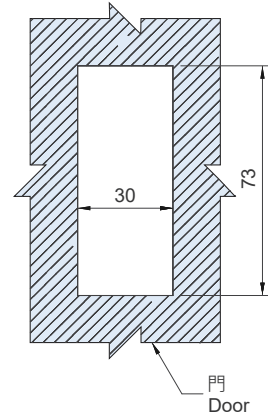


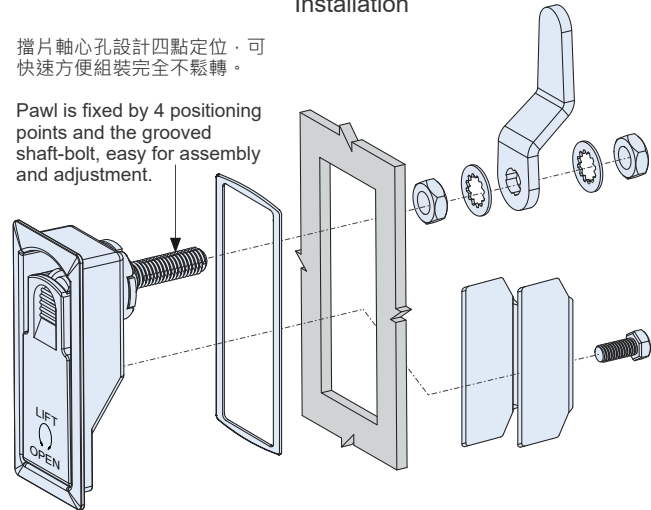
安裝孔開孔尺寸
Opening Size



裝配示意圖
Installation

擋片軸心孔設計四點定位，可快速方便組裝完全不鬆轉。

Pawl is fixed by 4 positioning points and the grooved shaft-bolt, easy for assembly and adjustment.



材質與表面處理

- 本體與掀把：鋅合金，黑色。
- 軸心：鐵，鍍鋅。
- 擋片與固定架：鐵(SPHC)，鍍鋅。

特徵

- 專利設計：擋片軸心孔設計四點定位，可快速方便組裝。
- 現場裝配者只需旋轉一顆螺絲，即可快速安裝門鎖。
- 左、右、上、三方向兼用型。
- 開啟可後退3mm開閉迴轉順暢，關門後門板可迫緊箱框不搖動
- 擋片可自由調整至使用者關門迫緊時較適當之鬆緊程度
- 耐熱、耐腐蝕性、防塵、防水 (IP66)

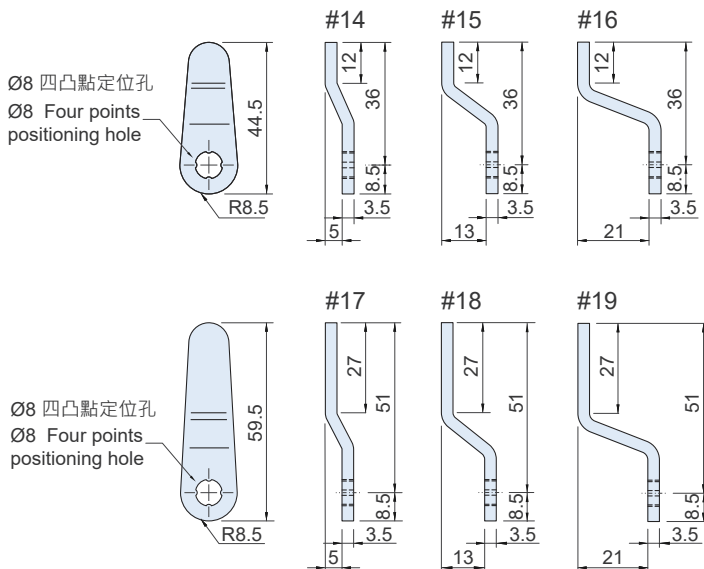
MATERIAL AND FINISH

- Body and Lever: Die-cast Zinc, Black powder coated.
- Shaft: Steel, Zinc plated.
- Pawl and Mounting Bracket: Steel (SPHC), Zinc plated.

FEATURES

- Patent: Pawl is fixed by 4 positioning points and the grooved shaft-bolt, easy for assembly and adjustment. Need only to slide the pawl through the shaft-groove to the correct position, more stable and accurate.
- Left, right and top opening.
- The pawl moved forward and reversed vertically 3mm while the compression latch is opened and closed.
- Resistance to heat, corrosion and dust. Dust-resistant and waterproof (IP66).

檔片型式 Pawl Type

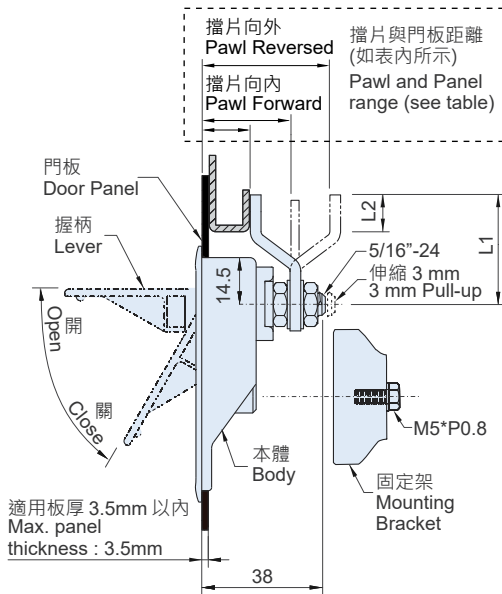


SPECIFICATION:

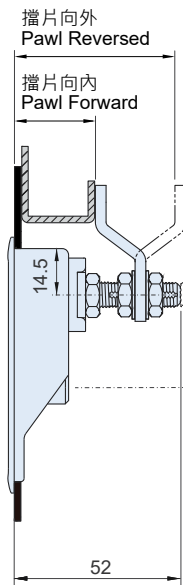
Unit:mm

檔片型號 Pawl Type	材質 Material	表面處理 Finish	重量 Weight(g)
#44	鐵 SPHC	鍍鋅 Zinc plated	11
#45			11
#14			15.6
#15			17.6
#16			19.6
#17			20.6
#18			22.4
#19			24.2

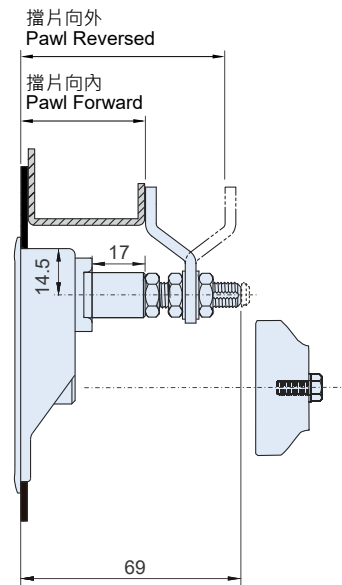
BZ-171
(短軸型 Short Shaft)



BZ-172
(標準軸型 Standard Shaft)



BZ-173
(長軸型 Long Shaft)



SPECIFICATION:

Unit:mm

產品編號 Item No.	軸心 型式 Shaft Type	檔片型號 Pawl Type	尺寸 Dimensions		檔片與門板距離 Pawl and Panel range		重量 Weight (g)
			L1	L2	檔片向內 Pawl Forward	檔片向外 Pawl Reversed	
BZ-171944(W)	短軸型 Short Shaft	#44	33		26		201
BZ-171945(W)		#45	25.5	13.5	36		201
BZ-171914(W)		#14	36	12	21	31	205.6
BZ-171915(W)		#15			13	39	207.6
BZ-171916(W)		#16			5	47	209.6
BZ-171917(W)		#17	51	27	21	31	210.6
BZ-171918(W)		#18			13	39	212.4
BZ-171919(W)		#19			5	47	214.2
BZ-172914(W)		標準軸型 Standard Shaft	#14	36	12	27~37	37~47
BZ-172915(W)	#15		19~29			45~55	213.5
BZ-172916(W)	#16		11~21			53~63	216.5
BZ-172917(W)	#17		51	27	27~37	37~47	217.5
BZ-172918(W)	#18				19~29	45~55	218.5
BZ-172919(W)	#19				11~21	53~63	221.5
BZ-173914(W)	長軸型 Long Shaft	#14	36	12	44~54	54~64	216.5
BZ-173915(W)		#15			36~46	62~72	218.5
BZ-173916(W)		#16			28~38	70~80	221.5
BZ-173917(W)		#17	51	27	44~54	54~64	222.5
BZ-173918(W)		#18			36~46	62~72	223.5
BZ-173919(W)		#19			28~38	70~80	226.5