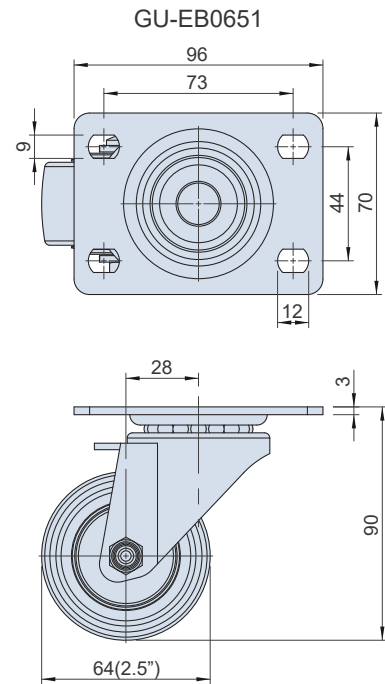
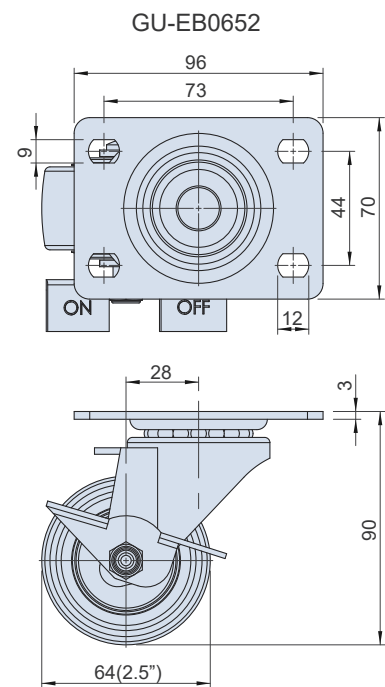


GU-EB0651



GU-EB0652



特徵

- 輪架表面處理鍍鋅。
- 聚氨酯輪 PU輪，一般稱為優力膠輪，天然優力膠有非常好的磨耗特性、不留輪痕、汙痕並且擁有優良的耐油與耐化學藥劑特性。天然灌注PU不會有水解的情況產生，可以維持穩定的材質硬度且對地面的汙染少，因此適用的範圍相當廣泛。

FEATURES

- The housing is zinc plated.
- Polyurethane wheel is suppressive property against fouling to floor surface and the resistance against oil and chemical. Besides, natural perfusion PU can't be hydrolyzed, so it can maintain a stable material hardness and less pollution to the ground. The range of application is quite extensive.

SPECIFICATION:

Unit:mm

產品編號 Item No.	輪架材質 Housing Material	輪子材質 Wheel Material	尺寸 Dimensions			荷重 Load Capacity (kgf/pc)	重量 Weight (kg)
			輪徑 Wheel Diameter	輪寬 Wheel Width	迴轉半徑 Radius of gyration		
GU-EB0651	鐵	PU	64(2.5")	32	65	80	0.54
GU-EB0652	Steel	PU			80		0.57