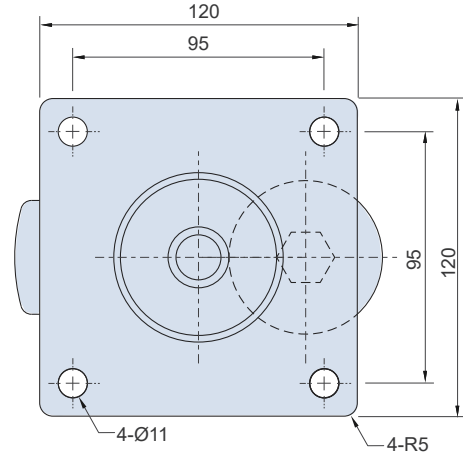
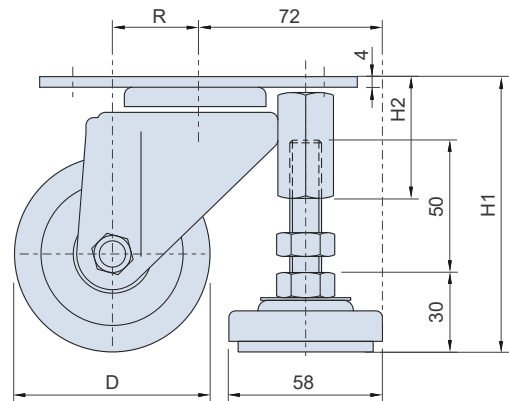


GN-A25204T



GN-A3205T



特徵

- 輪架表面處理鍍鉻。
- 尼龍輪採高級尼龍原料(PA6)·抗潮溼、耐磨損、耐腐蝕、細屑不易侵入及重量輕等優點。
- 腳座盤墊採耐油脂橡膠·有止滑、減震功能·但不建議用於高油質場所。
- 滾輪附有腳座·可供設備調整水平高度·腳座與上方固定板無相連。

FEATURES

- The housing is chrome plated.
- Nylon Wheel(PA6) is light in weight and excellent resistances against moisture, wear, and corrosion.
- Leveling feet plate of rubber adopts to leveler with optimal oil & grease resistance, plus shock absorbing.
- With leveling feet can adjust the horizon.

SPECIFICATION:

Unit:mm

產品編號 Item No.	輪架材質 Housing Material	輪子材質 Wheel Material	型式 Type	尺寸 Dimensions			輪徑(D) Wheel Diameter	輪寬 Wheel Width	迴轉半徑 Radius of gyration	荷重 Load Capacity (kgf/pc)	重量 Weight (kg)
				R	H1	H2					
GN-A25204T	鐵 Steel	尼龍 Nylon	培林 Bearing	28	92~104	39	61(2.5")	45	75	300	1.37
GN-A3205T				29	107~122	46	75(3")				1.53

備註：為使移動順暢·建議移動時承載重量調整為 GN-A25204T : 150kgf/pc · GN-A3205T : 200kgf/pc

Remark: In order to make the movement smooth, it is recommended to move the load weight adjusted to GN-A25204T : 150kgf/pc · GN-A3205T : 200kgf/pc.