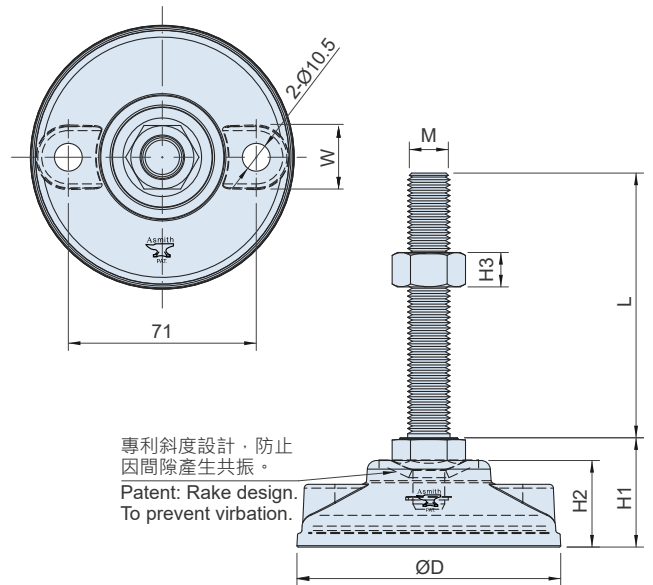




不含盤墊
Without Cushion

含盤墊
With Cushion

單支荷重700~800Kgf
Load Capacity 700~800Kgf / each



專利斜度設計，防止因間隙產生共振。
Patent: Rake design. To prevent vibration.

材質與表面處理

- 盤座：尼龍(PA66+GF)，黑色。
- 螺桿：DK-02 合金鋼(SCM)，鍍鋅。
DS-02 不銹鋼(SUS304)。
- 盤墊：橡膠(NBR)，耐油、耐鹼、耐熱130°C。

特徵

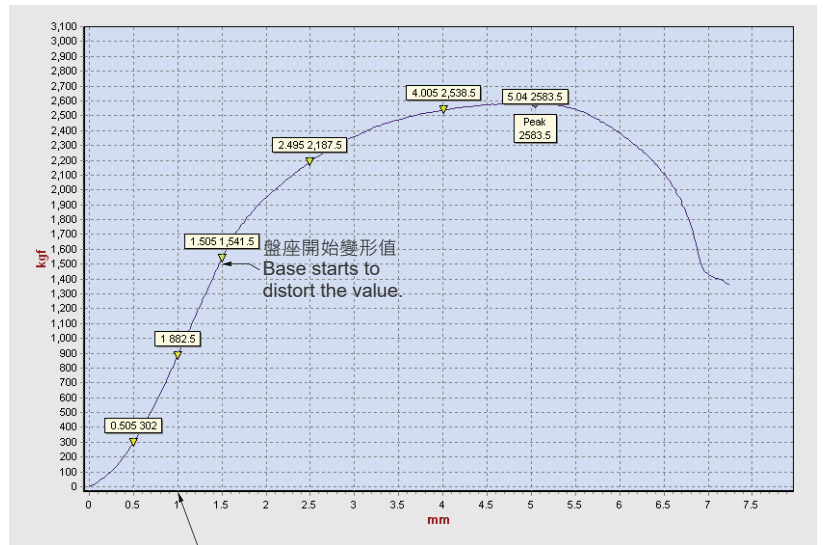
- 螺桿與盤座結合處斜度設計，防止因間隙產生共振。
- 防震、防銹(DS系列)、耐鹼、防滑、耐磨耗、耐油。
- 不含盤墊：材料符合UL94 HB防火等級。

MATERIAL AND FINISH

- Base: Nylon(PA66+GF), Black.
- Cushion: Rubber (NBR), Resistance to Greasiness, Alkali / Heat 130°C.
- Bolt: DK-02: Steel (SCM), Zinc plated.
DS-02: Stainless steel (SUS304).

FEATURES

- The rake of bolt's bottom and base's hole design is to prevent vibration while they are assembled.
- Resistance to shock, conductance rust (DS Series), alkali, slip, abrasion and greasiness.
- Without Cushion: Use the original raw material compliant with UL94 HB standards.



Suppose the leveling feet was pressuring under load capacity 700 kgf per 1 mm. The chart show the leveling feet load capacity of bolt and base dimension Ø100 mm. 設定荷重 700kgf 下壓值 1 mm。Ø100 圓腳座荷重測試曲線圖 (不含盤墊)

SPECIFICATIONS:

Unit:mm

型式 Type	產品編號 Item No.		尺寸 Dimensions							荷重 Load Capacity (kgf)	重量 Weight(g)	
	螺桿 Bolt (SCM)	螺桿 Bolt (SUS304)	M	L	ØD	H1	H2	H3	W		SCM	SUS304
不含盤墊 Without Cushion	DK-0216100F	DS-0216100F	M16*P2.0	100	100	41.3	33	13	24	700	327	338
	DK-0216150F	DS-0216150F		150							445	402
	DK-0220100F	DS-0220100F	100	800						459	462	
	DK-0220150F	DS-0220150F	150							559	567	
	DK-0220200F		200							659		
含盤墊 With Cushion	DK-0216100FR	DS-0216100FR	M16*P2.0	100	102	44.8	36.4	13	24	700	363	374
	DK-0216150FR	DS-0216150FR		150							481	438
	DK-0220100FR	DS-0220100FR	100	800						495	498	
	DK-0220150FR	DS-0220150FR	150							595	603	
	DK-0220200FR		200							695		