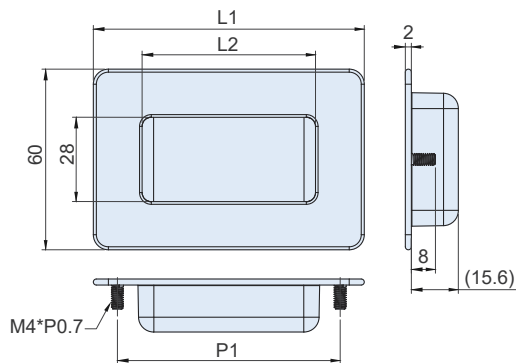


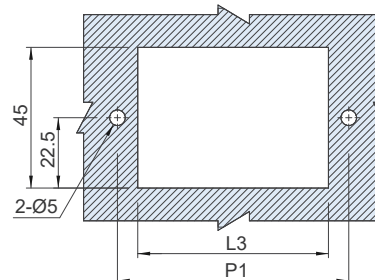
ES-1311



ES-1321



開孔尺寸 Opening size



特徵

- 附配件包：兩顆螺帽、華司-不鏽鋼。易組裝。
- 表面毛絲處理，質感高雅大方。
- 手握處四邊皆有R型構造，可減緩拉抬時的不適感，使握感較為輕鬆。
- 適用箱櫃體板件及門板供手拉使用，亦適用於無塵室之產業。

FEATURES

- With screws pack: Nuts+washer 2pcs. Easy to assemble.
- Brushed finish, outward appearance lofty artistic.
- A good R construction on hold portion of the pocket pull, feel free and easy when hold it.
- Applicable to clean room, machine and industry enclosure.

SPECIFICATIONS:

Unit:mm

產品編號 Item No.	材質 Material	表面處理 Finish	尺寸 Dimensions					適用板厚 Max. panel thickness	P1	荷重 Load Capacity (kgf)	重量 Weight (g)
			L1	L2	L3						
ES-1311	SUS304	毛絲處理	90	57.6	61	4.2	74	20	58		
ES-1321		Brushed finish	120	85.5	89					100	76