

材質與表面處理

■ 本體與檔片：鋅合金、鐵，鍍鉻。

特徵

■ 目前為單一鎖號。如需不同鎖號訂製，請訂購500pcs 以上。

MATERIAL AND FINISH

■ Shaft and Pawl: Zinc alloy & SPHC, Chrome plated.

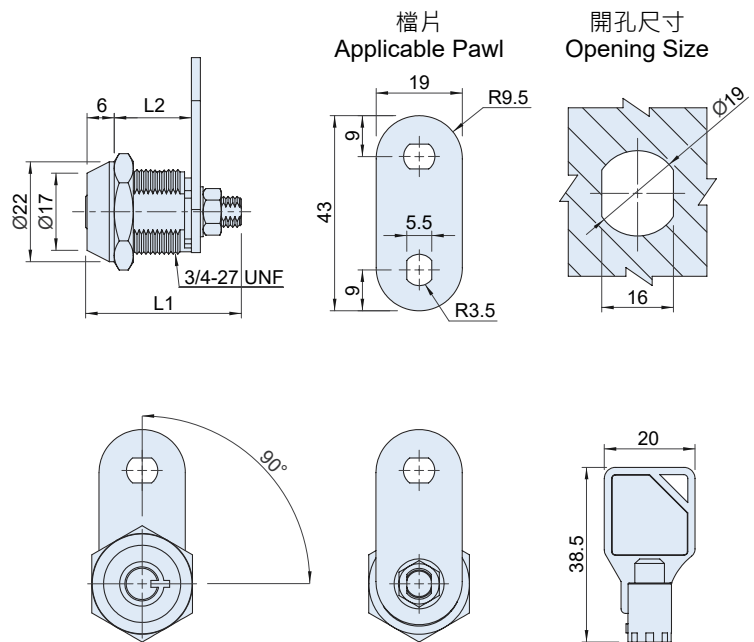
FEATURES

■ Currently only one key number is available (KA). For different key number MOQ is 500pcs.

SPECIFICATION:

Unit:mm

產品編號 Item No.	鎖號 Key No.	適用板厚 Max.panel thickness	尺寸 Dimensions				重量 Weight (g)
			L1	L2	L3	L4	
BZ-1910	#24	7mm ↓	20.5	10.5	16	4.2	23
BZ-1920	#1	11mm ↓	26.2	16	19.3	4.5	27



材質與表面處理

■ 本體與檔片：青銅、鐵，鍍鉻。

特徵

■ 關閉時，鑰匙才可取下

■ 目前為單一鎖號。如需不同鎖號訂製，請訂購500pcs 以上。

MATERIAL AND FINISH

■ Shaft and Pawl: Bronze & SPHC, Chrome plated.

FEATURES

■ Key may be withdrawn in closure position so you don't fail to lock.

■ Currently only one key number is available (KA). For different key number MOQ is 500pcs.

SPECIFICATION:

Unit:mm

產品編號 Item No.	鎖號 Key No.	適用板厚 Max.panel thickness	尺寸 Dimensions		重量 Weight (g)
			L1	L2	
BD-2010	#5	11mm ↓	34.3	17	84
BD-2020	#10	17mm ↓	40	23	95